

FIG. 1
Related Art

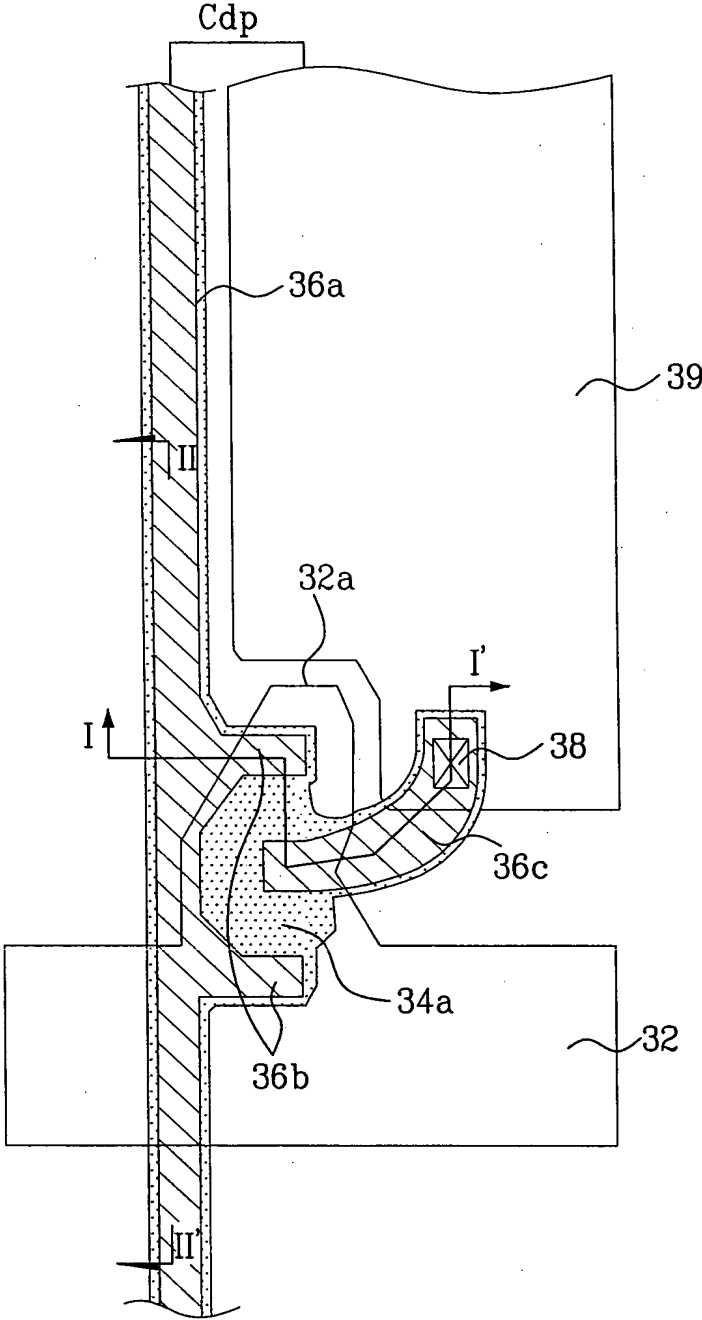


FIG. 2
RElated Art

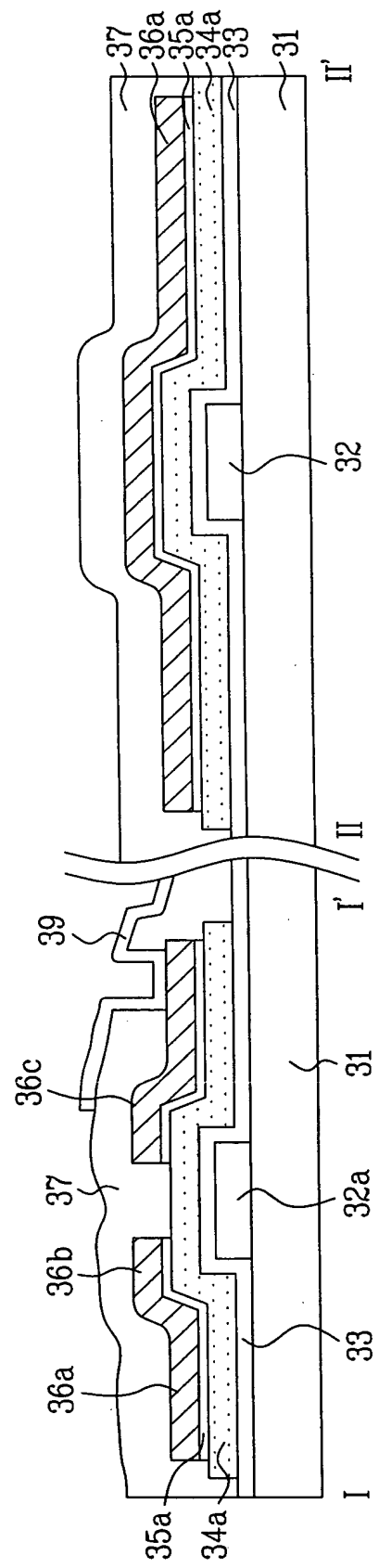


FIG. 3A
Related Art

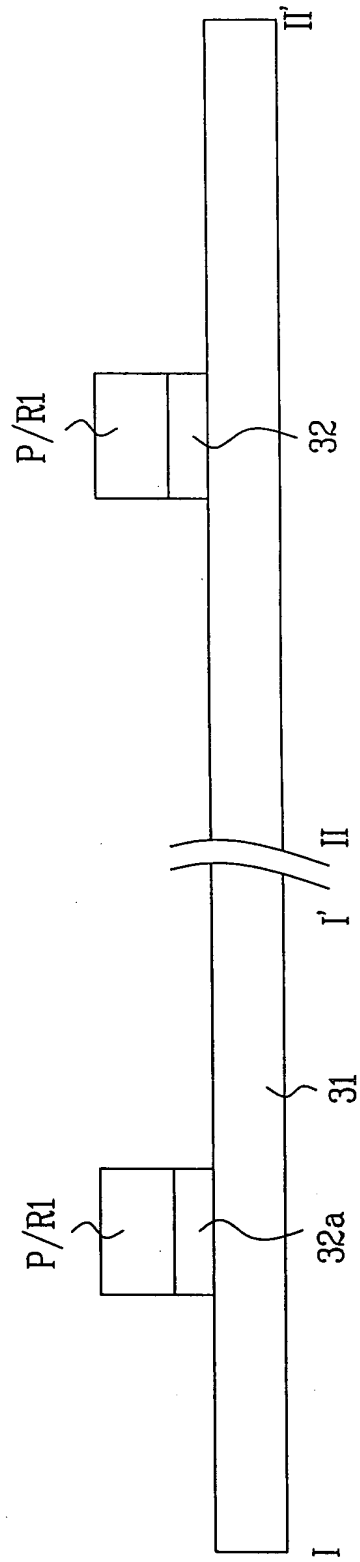


FIG. 3B
Related Art

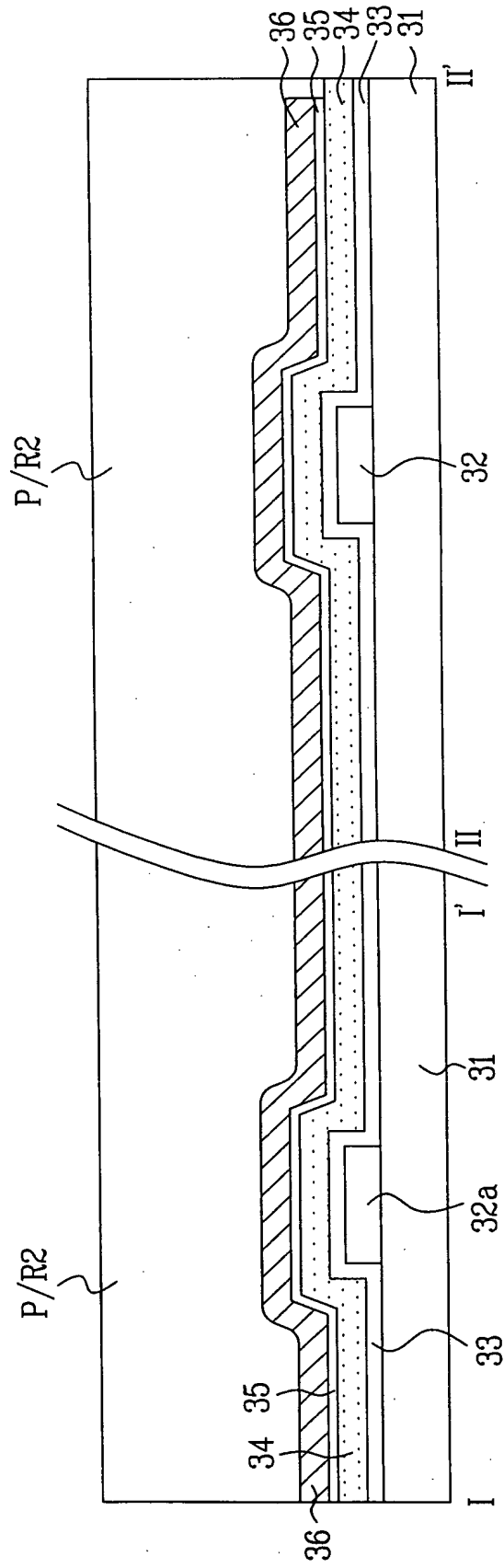


FIG. 3C
Related Art

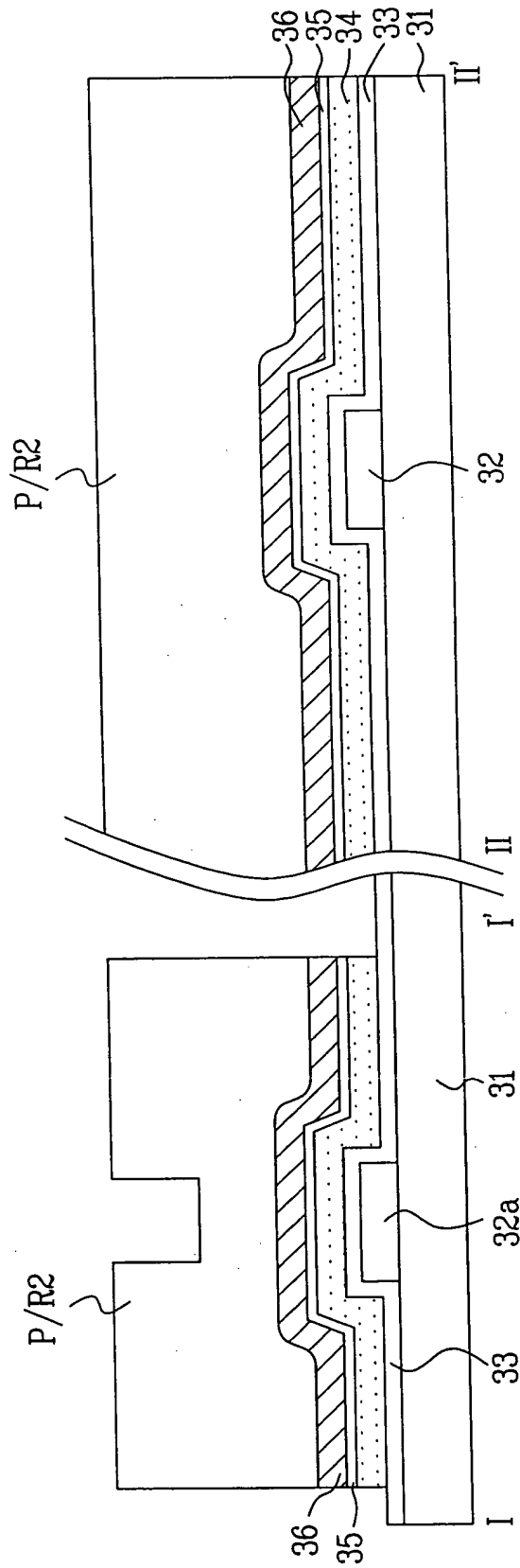


FIG. 3D
Related Art

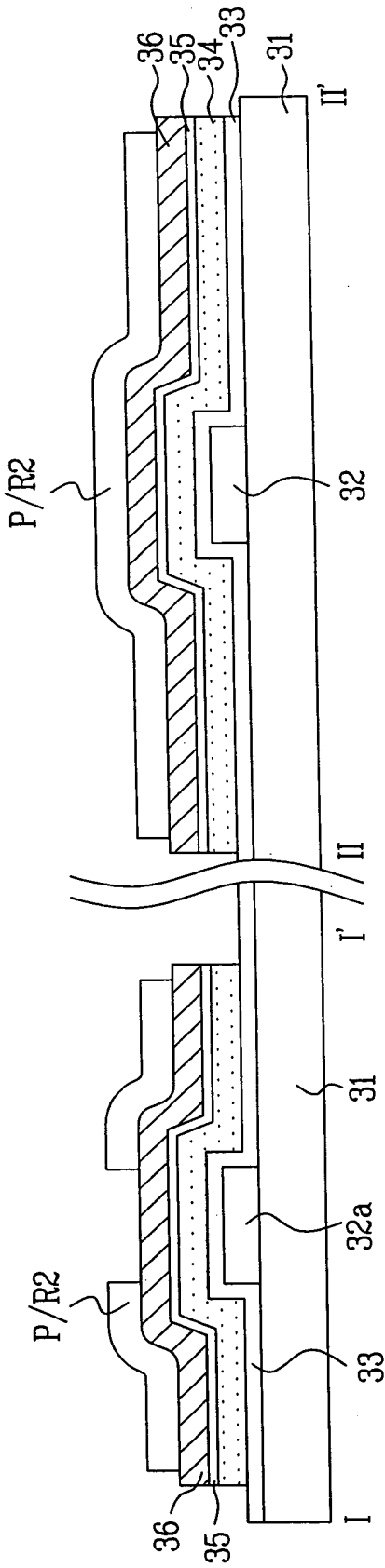


FIG. 3E
Related Art

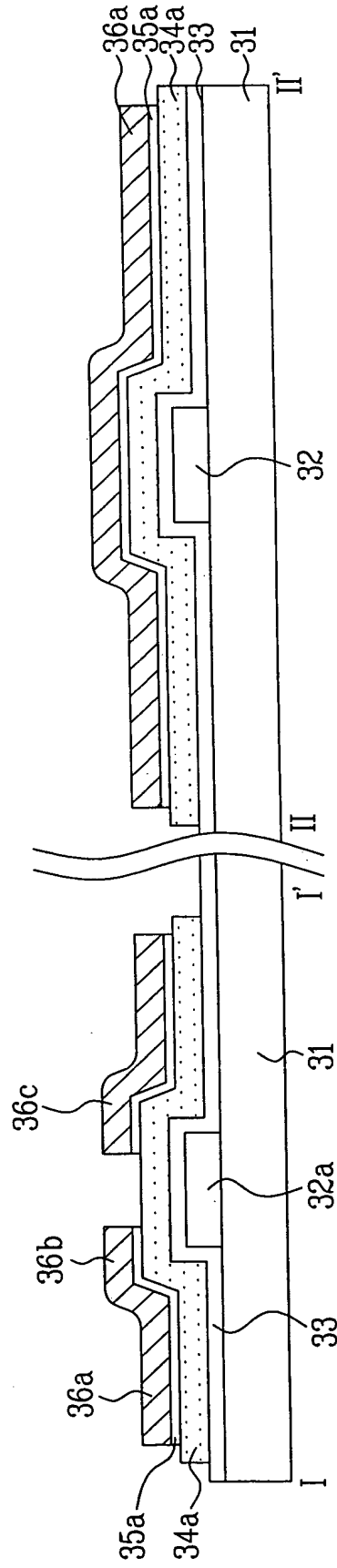


FIG. 3F
Related Art

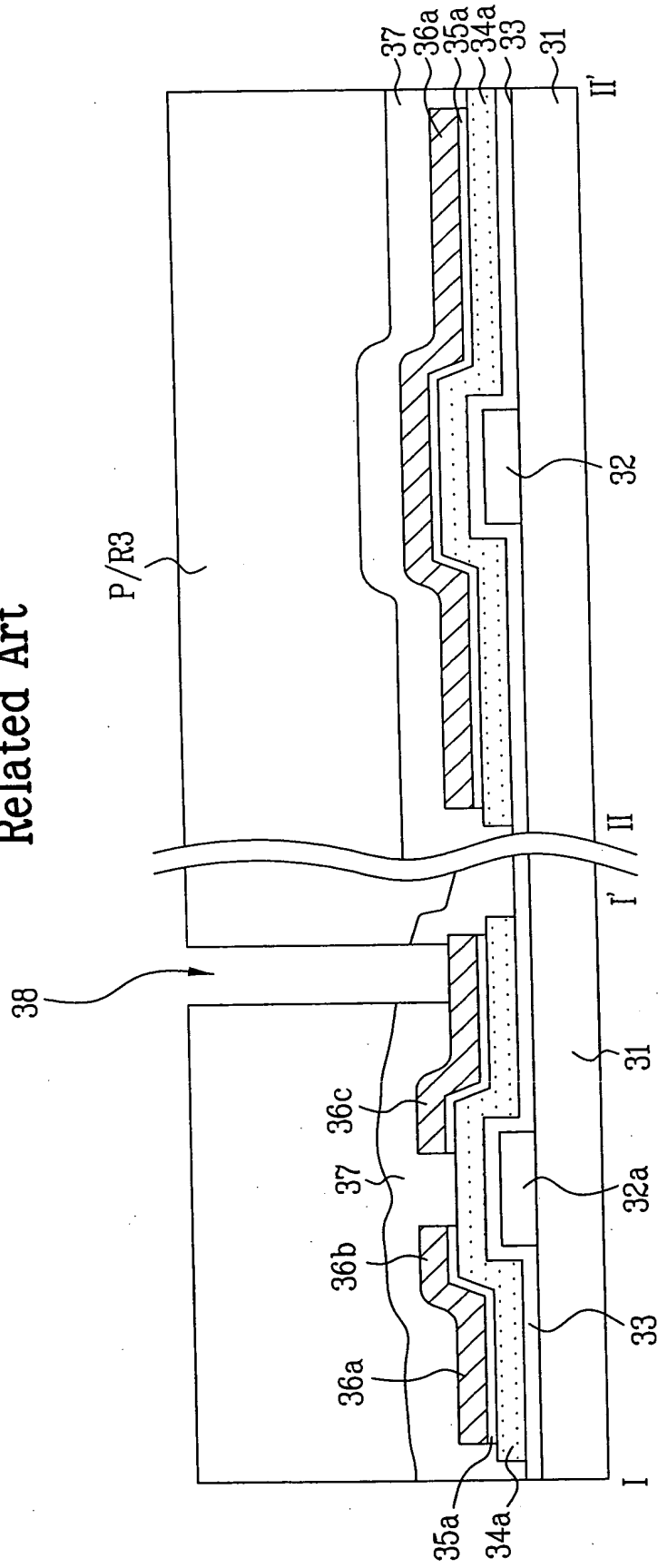


FIG. 3G
Related Art

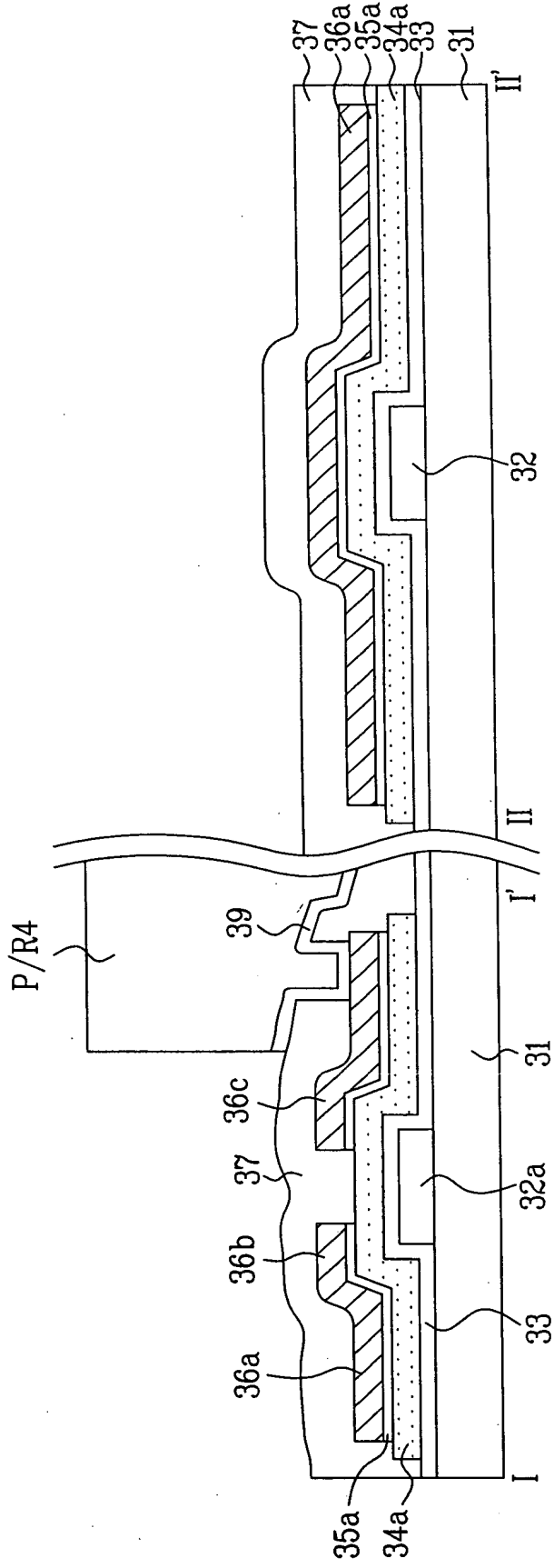


FIG. 3H
Related Art

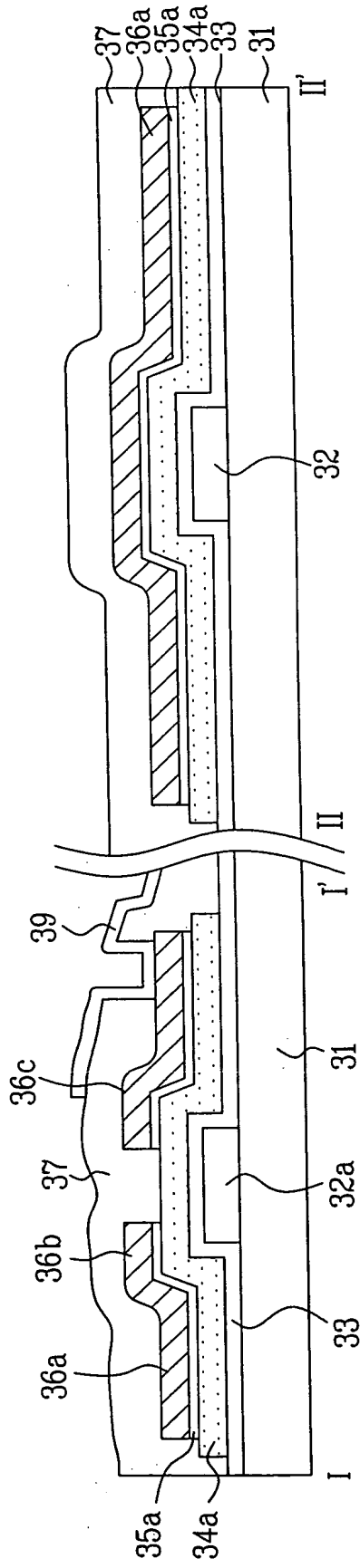


FIG. 4

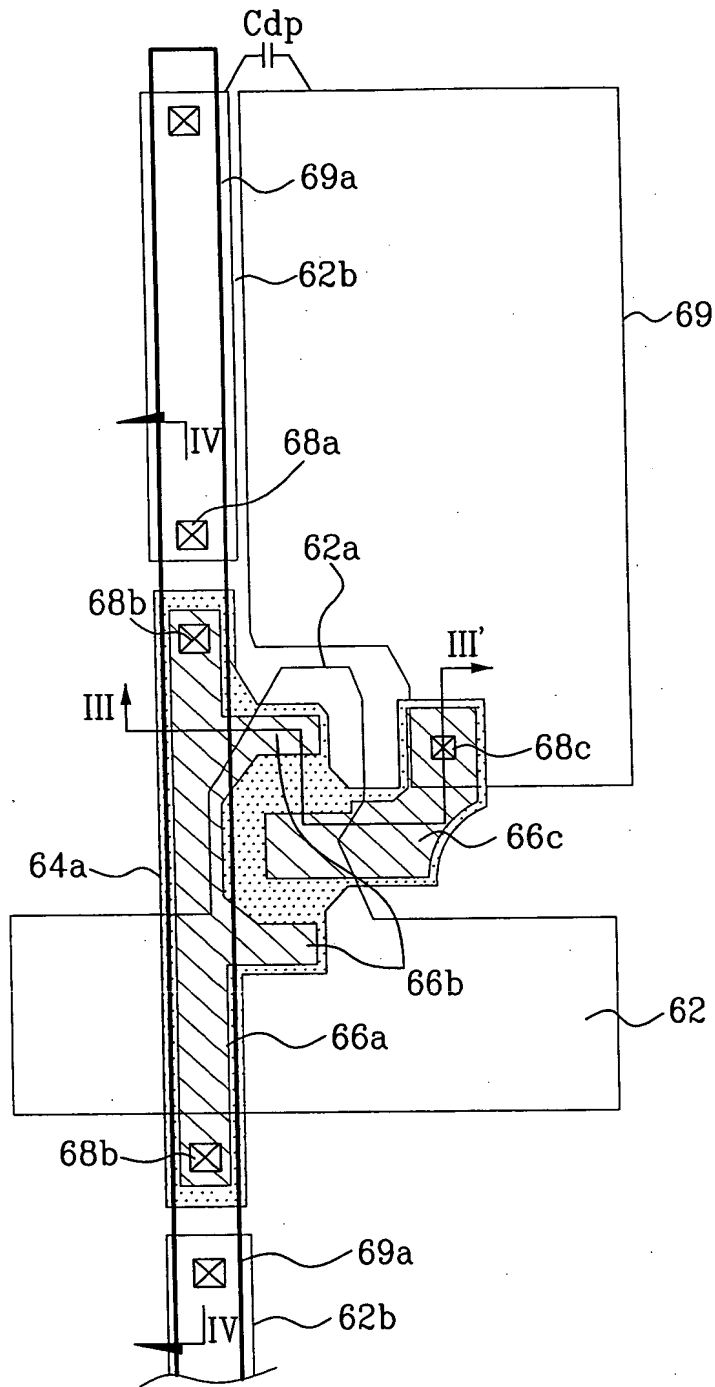


FIG. 5

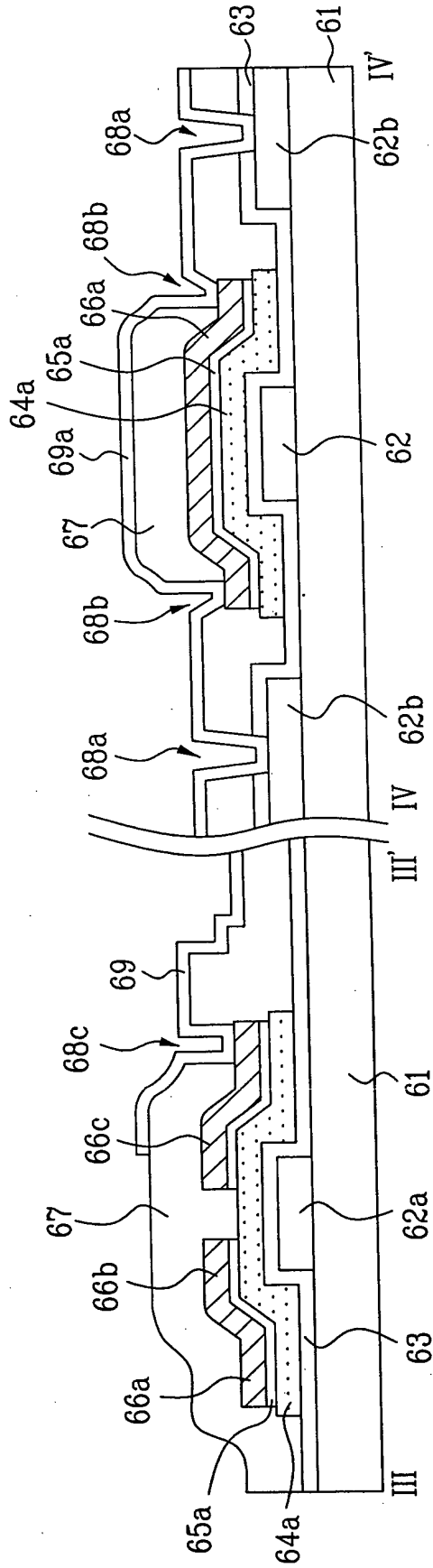


FIG. 6A

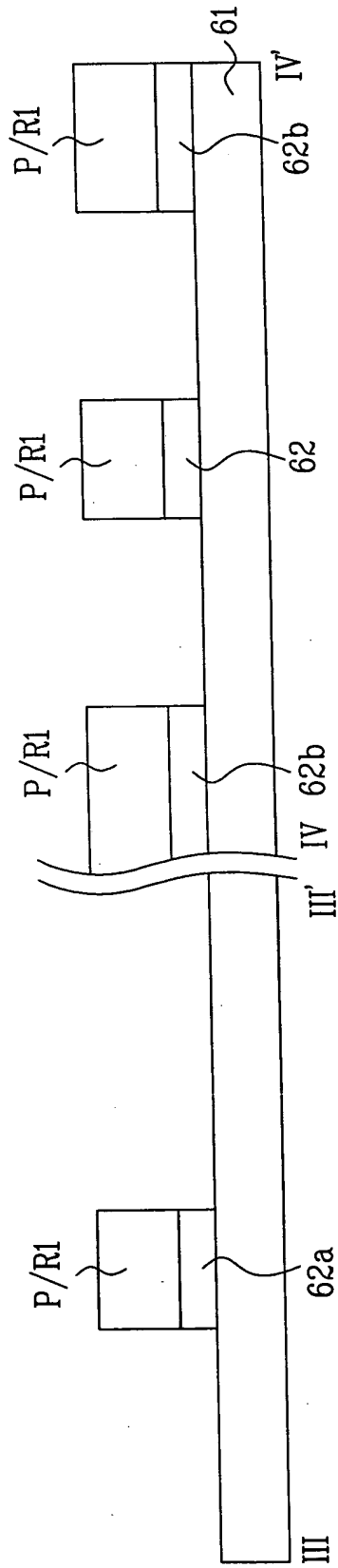


FIG. 6B

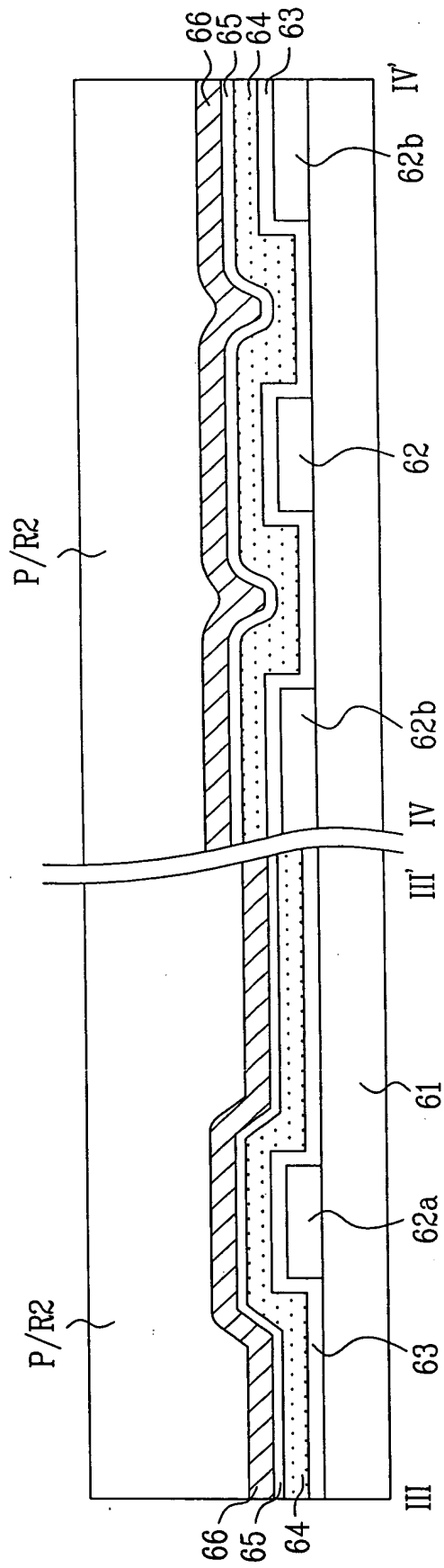


FIG. 6C

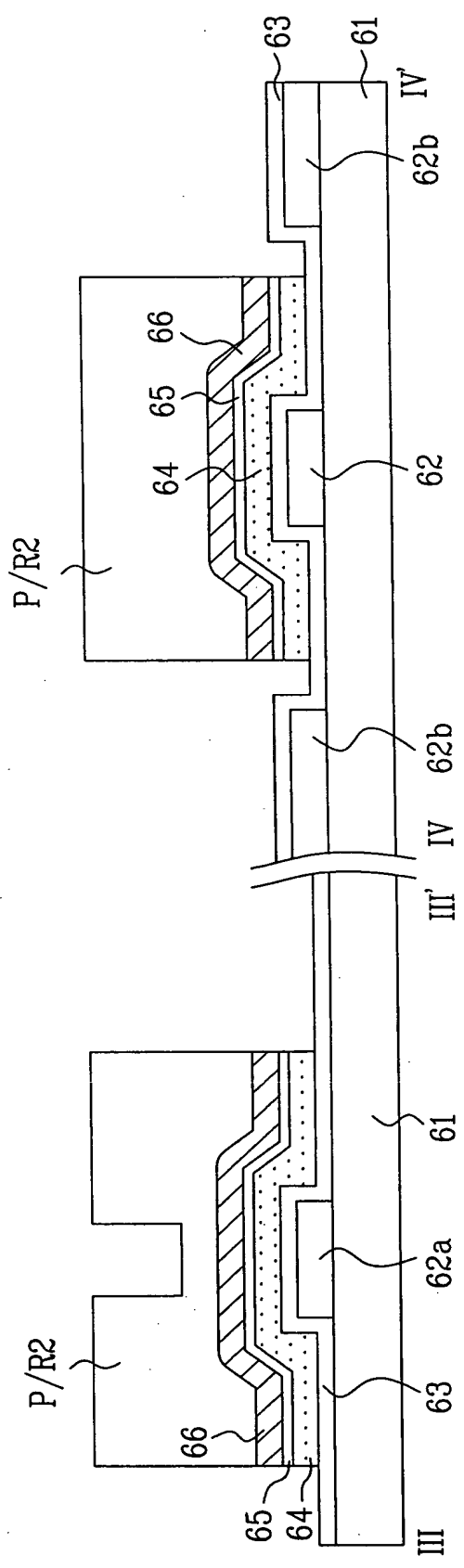


FIG. 6D

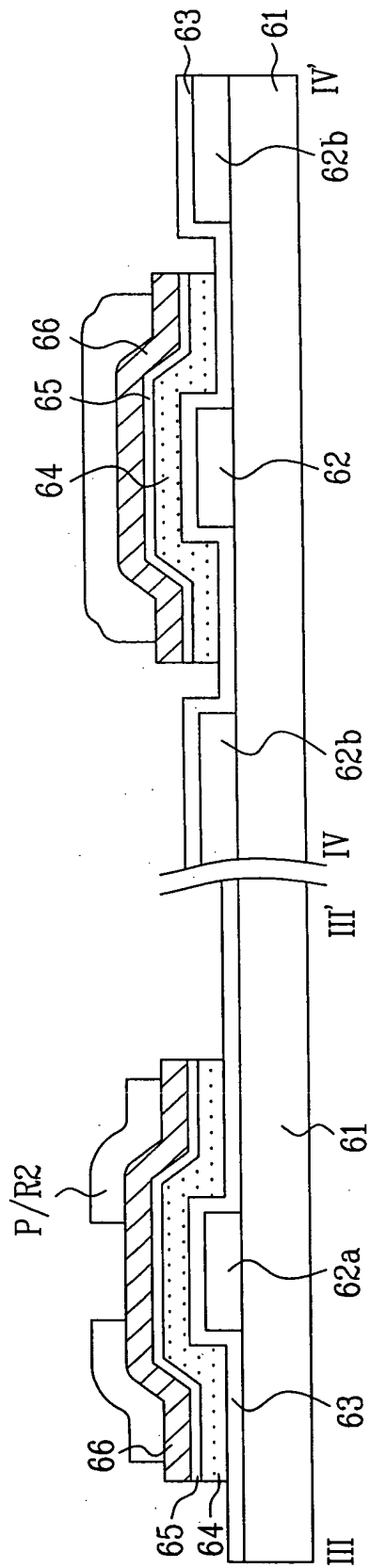


FIG. 6E

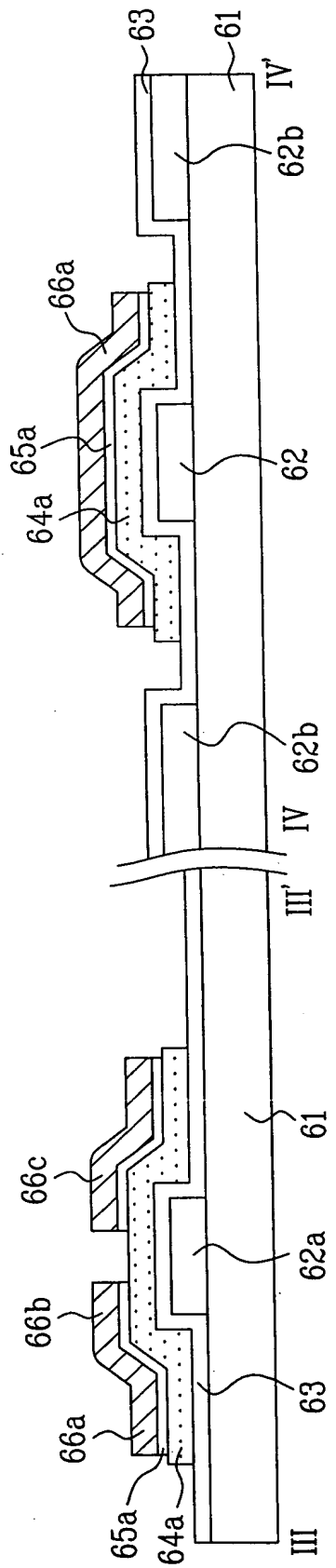


FIG. 6F

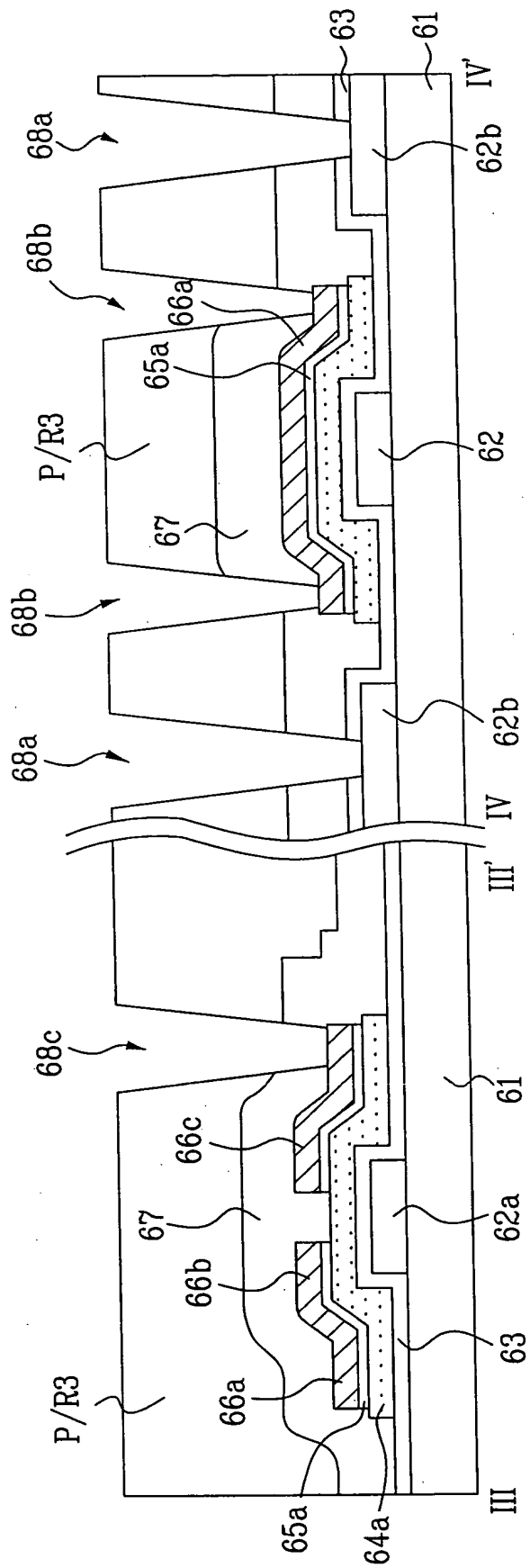


FIG. 6G

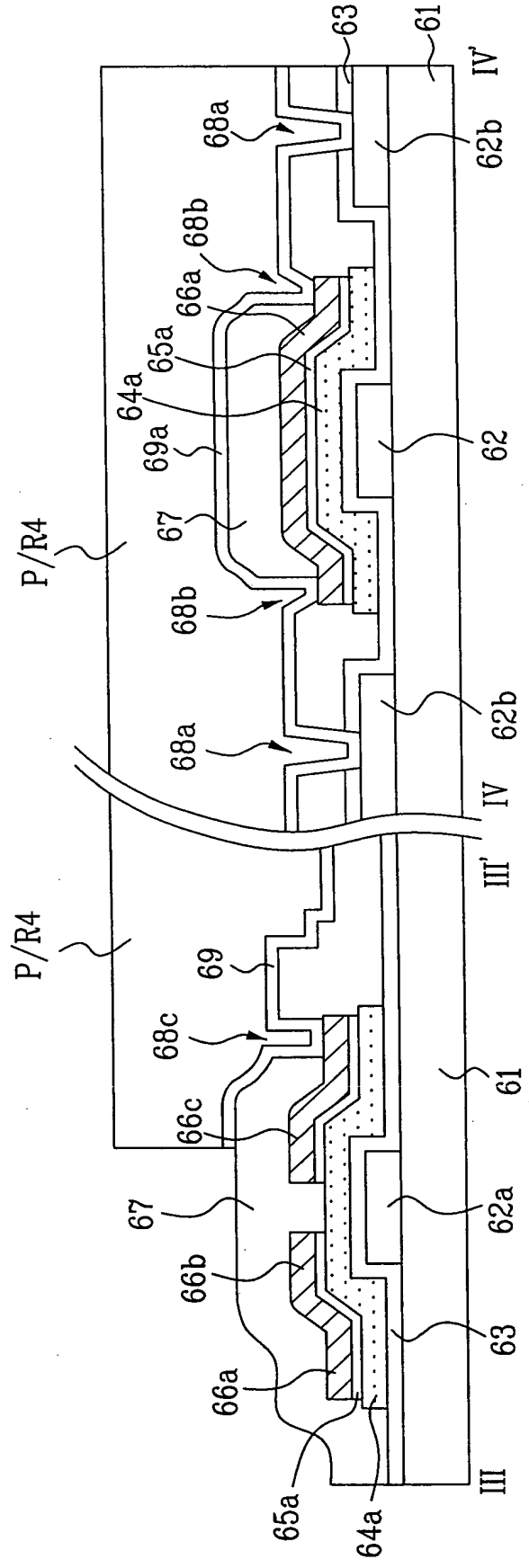


FIG. 6H

